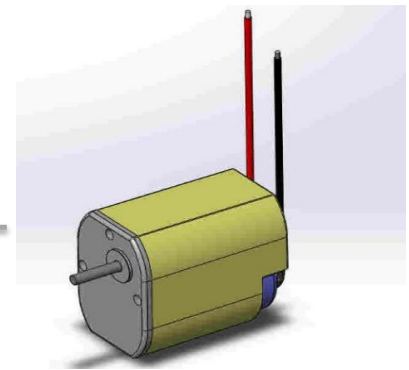


DC Geared Motor series DC24GBA



Spur reduction DC gearhead-0.3Nm

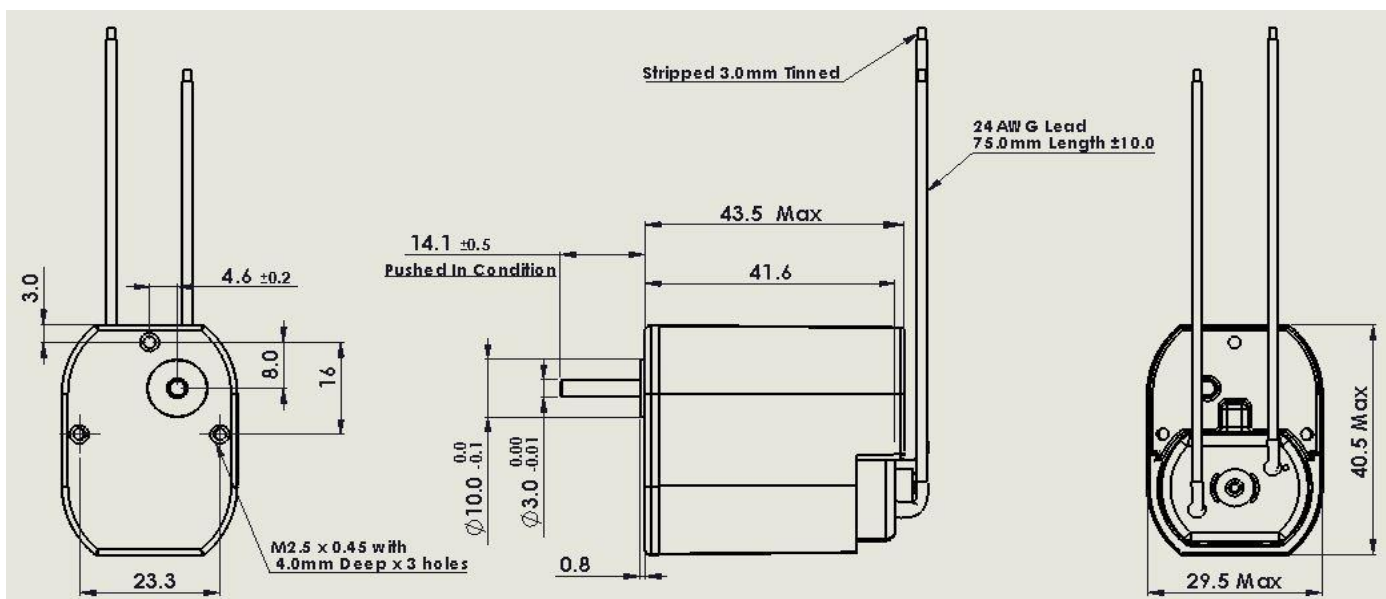
Design

DC24 Series motors are DC motors (Outsourced) that are used in combination with GBA Mechtex gearhead. Depending on the application, output speed, load applied etc the type of gearhead can be selected. Various types of gears i.e poly acetal, sintered iron, brass, SRBF (helical) & steel gears can be used based on the load considerations. Poly acetal with sintered gears usually are used for noise dampening & few poly acetal gears are used when the output torque required is less. All bearings are permanently lubricated and therefore require no maintenance.

Standard Data

Motor type		PM Brushed dc motor
Gear type		Spur reduction
Combination with Mechtex Gear Series		GBA only (others on request)
Standard motor voltages	V	24, 18, 12 & 6 volts
Weight	g	155
Enclosure	IP	40
Mounting		Any position; preferably with shaft horizontal
Axial thrust	N	20
Lateral force	N	50
Ambient temperature operation	°C	-15...+55
Connections		Flexible leads 24AWG, 75mm length, ends stripped 3mm
Output bearing		Sintered bronze sleeve bushings
Thermal class insulation		A
Axial play	mm	0.01 ≤ 0.6
Output shaft	mm	∅3×14.1 (others on request)
Physical dimension	mm	29.5×40.5×43.5
Life expectancy		Approx 500 hours @ max efficiency
Direction		Reversible

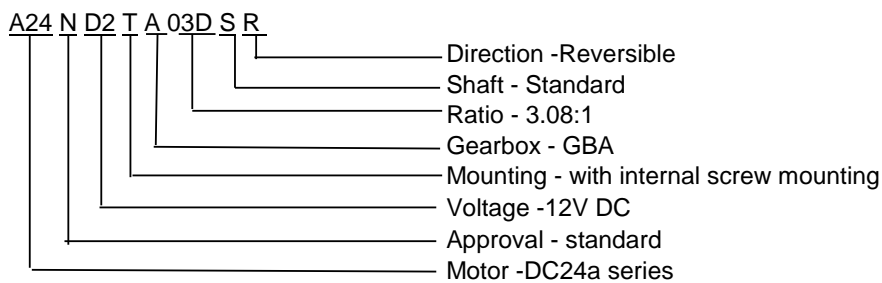
Assembly Drawing



Technical Data

Mechtex Model No.	Voltage	No load data		Data at max efficiency			Gear ratio
		Speed	No-Load	Speed	Current	Torque	
		RPM	Current A	RPM	Amps	Nm	
A24	24	1948	0.040	1566	0.094	0.005	3.08
		946	0.040	761	0.094	0.010	6.34
		459	0.040	369	0.094	0.020	13.07
		222	0.040	179	0.094	0.040	26.94
		108	0.040	86.95	0.094	0.083	55.5
		52.47	0.040	42.21	0.094	0.172	114.33
		25.47	0.040	20.49	0.094	0.300	235.51
		12.36	0.040	9.94	0.094	0.300	485.17
G24	18	1948.1	0.06	1505.0	0.159	0.006	3.08
		946.4	0.06	731.2	0.159	0.013	6.34
		459.1	0.06	354.7	0.159	0.026	13.07
		222.7	0.06	172.1	0.159	0.053	26.94
		108.1	0.06	83.5	0.159	0.109	55.5
		52.5	0.06	40.5	0.159	0.226	114.33
		25.5	0.06	19.7	0.159	0.300	235.51
		12.4	0.06	9.6	0.159	0.300	485.17
B24	12	974.0	0.024	699.7	0.068	0.003	3.08
		473.2	0.024	339.9	0.068	0.006	6.34
		229.5	0.024	164.9	0.068	0.013	13.07
		111.4	0.024	80.0	0.068	0.026	26.94
		54.1	0.024	38.8	0.068	0.053	55.5
		26.2	0.024	18.8	0.068	0.109	114.33
		12.7	0.024	9.2	0.068	0.220	235.51
		6.2	0.024	4.4	0.068	0.300	485.17
C24	6	487.0	0.022	290.3	0.042	0.001	3.08
		236.6	0.022	141.0	0.042	0.003	6.34
		114.8	0.022	68.4	0.042	0.006	13.07
		55.7	0.022	33.2	0.042	0.012	26.94
		27.0	0.022	16.1	0.042	0.025	55.5
		13.1	0.022	7.8	0.042	0.052	114.33
		6.4	0.022	3.8	0.042	0.107	235.51
		3.1	0.022	1.8	0.042	0.221	485.17

Ordering Data (e.g.)



Photographs

