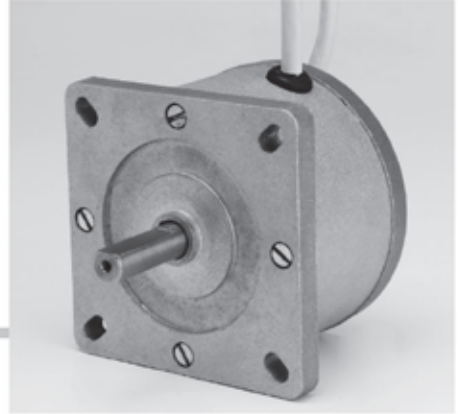


# Motor Series M-15

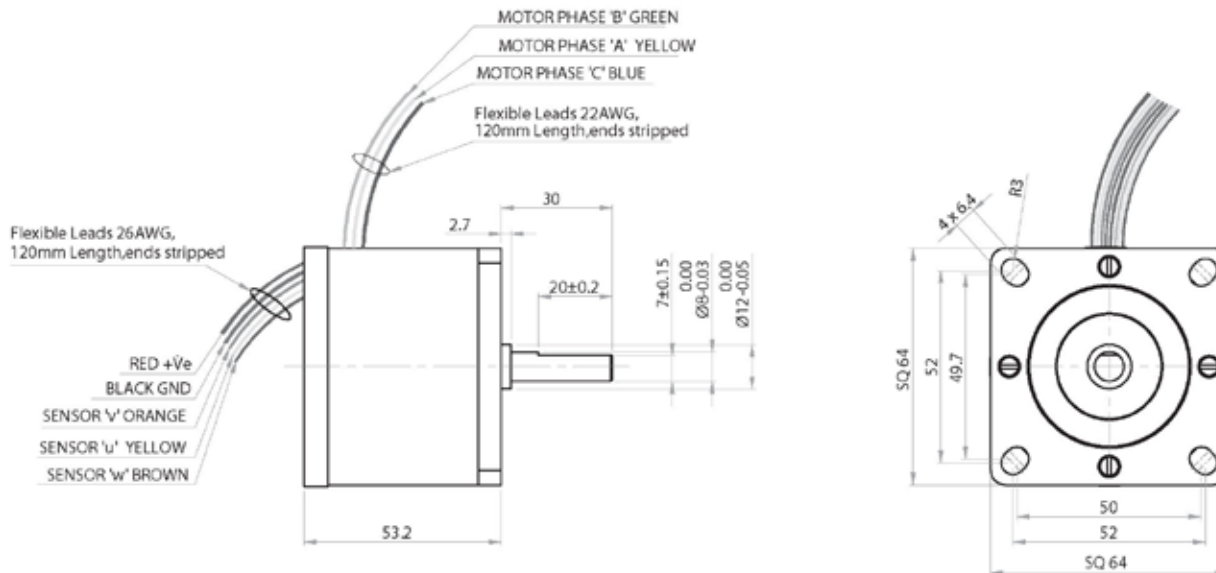
## Brushless DC Inrunner Motor



### Standard Data

Specification		Detail
Motor Type		Brushless DC Motor
Ambient Temperature Operation	°C	-15.....+55
Ambient Temperature Storage	°C	-20.....+100
Thermal Class	°C	130°
Electrical Encloser	IP	40
Connection Hall Sensor		Flexible Leads 26AWG, 120mm Length, end stripped 10mm
Connection Motor Main Phase		Flexible Leads 22AWG, 120mm Length, end stripped 10mm
Life Expectancy		Approx. 5000 Hrs. in test conditions
Mounting		Any Position
HVT		0.6 KV for 1min.
Weight		M15H2 = 560 gram Approx.
Rotor Shaft		Hardened steel, ground and Polished, Ø8
Bearing		Ball Bearings at both ends
External Dimension		H2 = 64Sq. x Ht.53.5mm
Combination Gear Series		GBU / GBV / GBW / GBX

### Dimensional Drawing (BLDC Motors) WITH HALL SENSOR - M15H2



### Connection For Motor M-15H1/H2

CKT Terminal	1	2	3	4	5	6	7	8
Leads Colours	YELLOW	GREEN	BLUE	RED	BLACK	YELLOW	BROWN	ORANGE
Function	PHASE "A"	PHASE "B"	PHASE "C"	+Ve	-Ve	SENSOR "u"	SENSOR "v"	SENSOR "w"



# Motor Series M-15

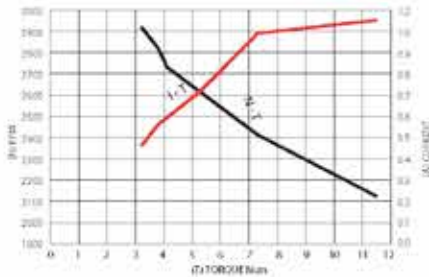
Brushless DC Inrunner Motor

## Technical Data

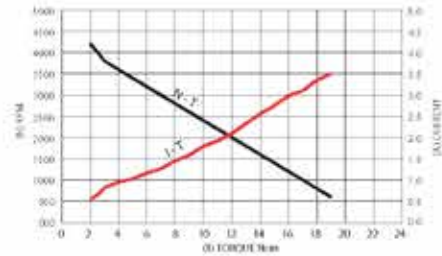
Parameters	Units	M15HX2b1 *	M15HX2b2 *	M15HX2b3 *
Standard Motors Voltage	V	24	24	24
Motors Height	mm	53.5	53.5	53.5
Connection Types		star	star	star
Phase	nos.	3	3	3
Poles	nos.	4	4	4
No Load Current	Amp	0.18	0.23	0.25
No Load Speed	Rpm	3200	4500	6800
Rated Current	Amp	0.8	1.2	1.4
Rated Speed	Rpm	2600	3200	5200
Rated Torque	Ncm	6.4	6	6
Rated Power	Watt	24	28	34

\* Test result on MECHTEX Driver D001

**Torque Graph M15HX2b1  
(On MECHTEX Controller D001)**



**Torque Graph M15HX2b2  
(On MECHTEX Controller D001)**



**Torque Graph M15HX2b3  
(On MECHTEX Controller D001)**

