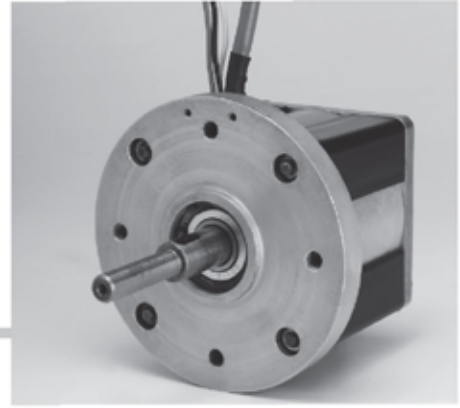


Motor Series M-20

Brushless DC Outrunner Motor



Standard Data

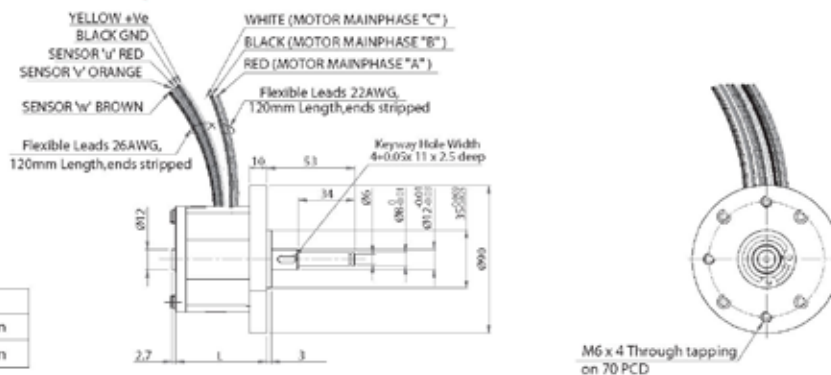
Specification		Detail
Motor Type		Brushless DC Motor
Ambient Temperature Operation	°C	-15.....+55
Ambient Temperature Storage	°C	-20.....+100
Thermal Class	°C	130°
Electrical Enclosure	IP	40
Connection Hall Sensor		Flexible Leads 26AWG, 120mm Length, end stripped 10mm
Connection Motor Main Phase		Flexible Leads 22AWG, 120mm Length, end stripped 10mm
Life Expectancy		Approx. 5000 Hrs. in test conditions
Mounting		Any Position
HVT		0.6 KV for 1min.
Weight		M20H1 - 700 gram Approx. / M20H2 - 780gram Approx.
Rotor Shaft		Hardened steel, ground and Polished
Bearing		Ball Bearing
External Dimension		M-20H1b1 = Sq. 64 x Ht. 55mm / M-20H2b1 = Sq. 64 x Ht. 68mm Length Flange Ø90 x M6 x 4nos. on 70PCD

Technical Data

Parameters	Units	M20H1b1 *	M20H2b1 *
Standard Motors Voltage	V	24	24
Motors Height	mm	55	68
Connection Types		Star	Star
Phase	nos.	3	3
Poles	nos.	8	8
No Load Current	Amp	0.275	0.375
No Load Speed	Rpm	1600	1600
Rated Current	Amp	1.8	2.8
Rated Speed	Rpm	1400	1300
Rated Torque	Ncm	21	35
Rated Power	Watt	45	70

* Test result on MECHTEX Driver D001

Dimensional Drawing (BLDC Motors)



Connection For Motor M-20 (With Hall Sensor)

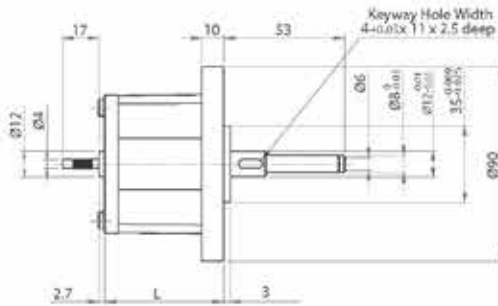
CKT Terminal	1	2	3	4	5	6	7	8
Leads Colours	RED	BLACK	WHITE	YELLOW	BLACK	RED	ORANGE	BROWN
Function	PHASE "A"	PHASE "B"	PHASE "C"	+Ve	-Ve	SENSOR "u"	SENSOR "v"	SENSOR "w"



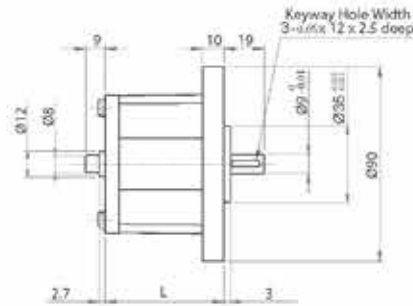
Motor Series M-20

Brushless DC Outrunner Motor

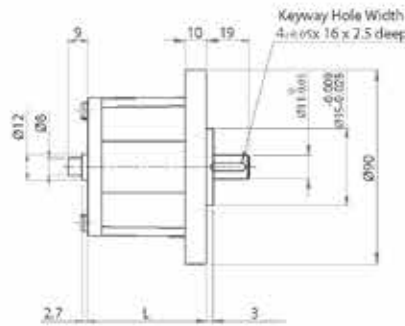
Types Of Shaft With Motor



BLDC MOTOR M20H1 - a



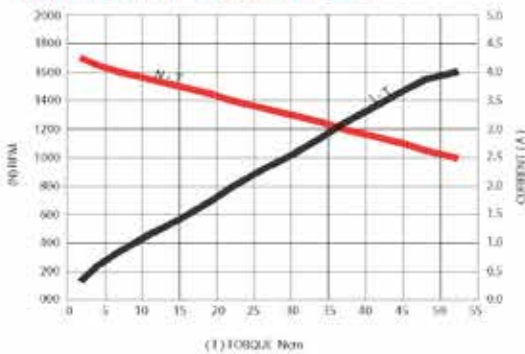
BLDC MOTOR M20H1 - b



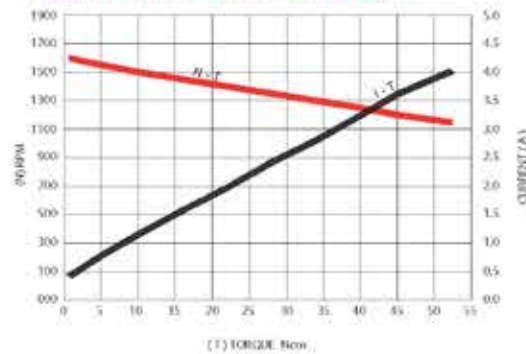
BLDC MOTOR M20H1 - c

Model No.	L
M-20H1	55mm
M-20H2	68mm

Torque Graph M20H1b1
(On MECHTEX Controller D001)



Torque Graph M20H2b1
(On MECHTEX Controller D001)



Typical Examples Of Motor Combined With Gear Boxes

