



## Spur Reduction Gearheads - 5Nm

### Design

Gearhead GB4 contains heavily loaded steel gear wheels. The spur gears rotate on fixed steel spindles which are hardened and polished to a mirror finish. The thick output shaft rotates in robust sintered bushings. It can also be mounted on a ball bearing which can be provided in the output bush of the gear box. All the gears are housed between two metal plates with a plastic frame. All bearings are permanently lubricated and therefore require no maintenance. Economical versions with poly-acetal or sintered gears available. This gear box can also be combined with small to medium sizes of DC motors.

### Features

Gearhead GB4 contains heavily loaded steel gear wheels. The spur gears rotate on fixed steel spindles which are hardened and polished to a mirror finish. The thick output shaft rotates in robust sintered bushings. It can also be mounted on a ball bearing which can be provided in the output bush of the gear box. All the gears are housed between two metal plates with a plastic frame. All bearings are permanently lubricated and therefore require no maintenance. Economical versions with poly-acetal or sintered gears available. This gear box can also be combined with small to medium sizes of DC motors.

### Application

Timers, Chart Recorders, Potentiometer Drives, Light Displays, Hour Meters, Cam Timers, Programming Devices and Control Instrumentation.

### Options

Gearhead GB4 contains heavily loaded steel gear wheels. The spur gears rotate on fixed steel spindles which are hardened and polished to a mirror finish. The thick output shaft rotates in robust sintered bushings. It can also be mounted on a ball bearing which can be provided in the output bush of the gear box. All the gears are housed between two metal plates with a plastic frame. All bearings are permanently lubricated and therefore require no maintenance. Economical versions with poly-acetal or sintered gears available. This gear box can also be combined with small to medium sizes of DC motors.

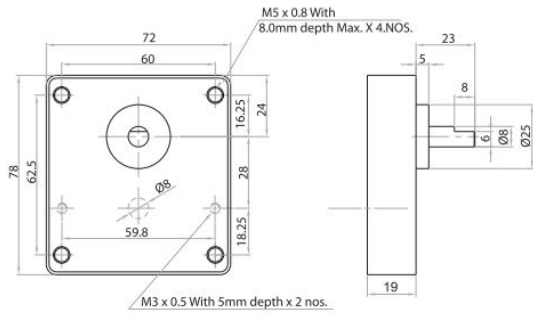
### Standard Data

Parameter	Value	Unit
Gear type	Spur	
Gear Torque	5	Nm
Combination with Mechtex Motors	MT0, MT6, MTR/S3a/3b, MTR/S-5, MTR/S 4a/4b/D4b and small DC motors / (upto 40)	
Mounting	any position	
Weight	350	g
Axial thrust	100	N
Lateral force	300	N
Radial torque	4	Nm
Slipping clutches/free wheel	available for certain ratios	
Output bearing	Sintered Bronze sleeve bushings, (Ball Bearing on request)	
Output shafts	dia. 8 x 23 mm (with a flat), others on request	Ø
Ambient temperature operation	-15...+ 55	°C
Enclosure	30	IP

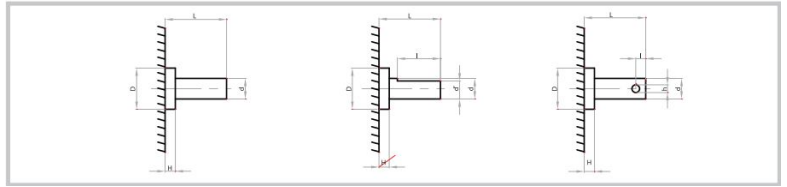
### Technical Data

Parameter	Value	Unit
Shaft type	OC	-
D (+0.00/-0.10)	25	
H	5	
d (dia)	8	
L	23	
I	9	
d		
h	3	

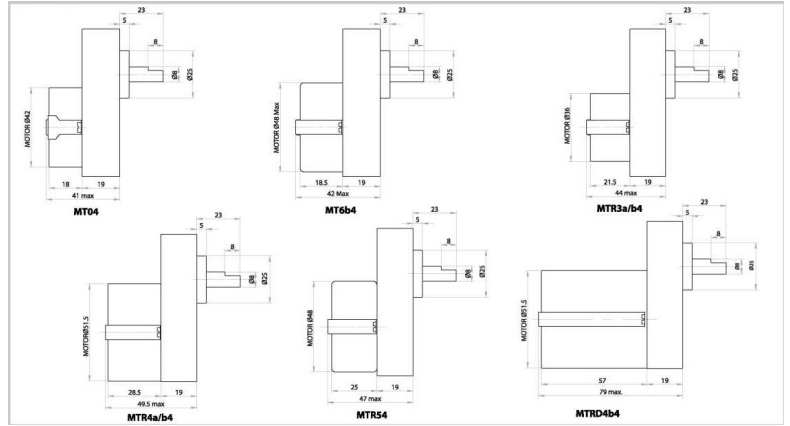
## Dimensional Drawing



## Shaft Drawings



## Assembly Drawings



## Life Graph

