



Spur Reduction Gearheads - 5Nm

Design

Gearhead GB4 contains heavily loaded steel gear wheels. The spur gears rotate on fixed steel spindles which are hardened and polished to a mirror finish. The thick output shaft rotates in robust sintered bushings. It can also be mounted on a ball bearing which can be provided in the output bush of the gear box. All the gears are housed between two metal plates with a plastic frame. All bearings are permanently lubricated and therefore require no maintenance. Economical versions with poly-acetal or sintered gears available. This gear box can also be combined with small to medium sizes of DC motors.

Features

Gearhead GB4 contains heavily loaded steel gear wheels. The spur gears rotate on fixed steel spindles which are hardened and polished to a mirror finish. The thick output shaft rotates in robust sintered bushings. It can also be mounted on a ball bearing which can be provided in the output bush of the gear box. All the gears are housed between two metal plates with a plastic frame. All bearings are permanently lubricated and therefore require no maintenance. Economical versions with poly-acetal or sintered gears available. This gear box can also be combined with small to medium sizes of DC motors.

Application

Timers, Chart Recorders, Potentiometer Drives, Light Displays, Hour Meters, Cam Timers, Programming Devices and Control Instrumentation.

Options

Gearhead GB4 contains heavily loaded steel gear wheels. The spur gears rotate on fixed steel spindles which are hardened and polished to a mirror finish. The thick output shaft rotates in robust sintered bushings. It can also be mounted on a ball bearing which can be provided in the output bush of the gear box. All the gears are housed between two metal plates with a plastic frame. All bearings are permanently lubricated and therefore require no maintenance. Economical versions with poly-acetal or sintered gears available. This gear box can also be combined with small to medium sizes of DC motors.

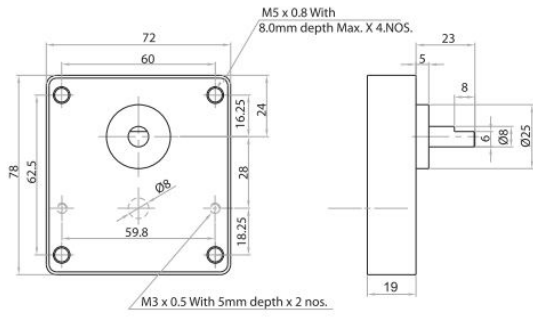
Standard Data

Parameter	Value	Unit
Gear type	Spur	
Gear Torque	5	Nm
Combination with Mechtex Motors	MT0, MT6, MTR/S3a/3b, MTR/S-5, MTR/S 4a/4b/D4b and small DC motors / (upto 40)	
Mounting	any position	
Weight	350	g
Axial thrust	100	N
Lateral force	300	N
Radial torque	4	Nm
Slipping clutches/free wheel	available for certain ratios	
Output bearing	Sintered Bronze sleeve bushings, (Ball Bearing on request)	
Output shafts	dia. 8 x 23 mm (with a flat), others on request	Ø
Ambient temperature operation	-15...+ 55	°C
Enclosure	30	IP

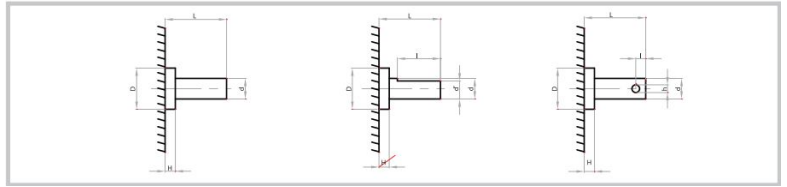
Technical Data

Parameter	Value	Unit
Shaft type	OS	-
D (+0.00/-0.10)	25	
H	5	
d (dia)	8	
L	23	
I	8	
d	6	
h		

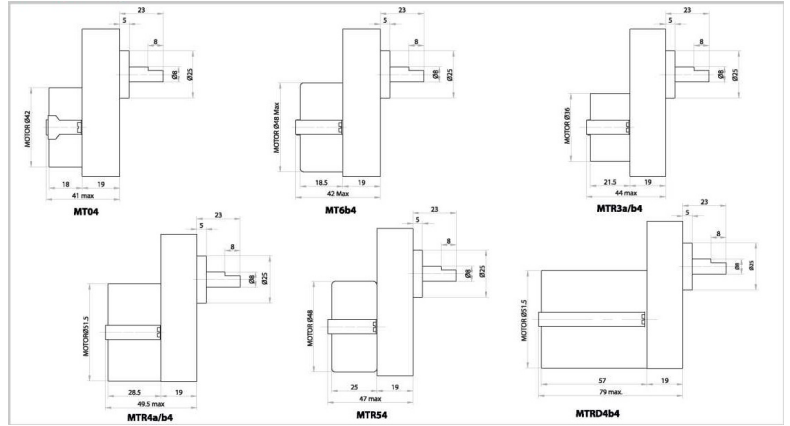
Dimensional Drawing



Shaft Drawings



Assembly Drawings



Life Graph

