



GB5H

Spur Reduction Gearheads - 0.8Nm

Design

Gearhead GB5H, a moderately priced gearhead, is specially designed to cater to heavy duty application in a small frame. This is a multi step gear box with all thick metal gears that rotate on steel spindles which are polished to a mirror-finish and introduced between metal plates with a plastic frame. All bearings are permanently lubricated and therefore require no maintenance. Motor is attached to the gear box by means of snap clip. Thicker shafts (Ø6-7mm) mounted in robust bushings (Ø12mm) are available in a new variant (GB5HS). GB5H can also be combined with small DC Motors, To achieve higher gear torque, GB5H can be mounted on GB4.

Features

Gearhead GB5H, a moderately priced gearhead, is specially designed to cater to heavy duty application in a small frame. This is a multi step gear box with all thick metal gears that rotate on steel spindles which are polished to a mirror-finish and introduced between metal plates with a plastic frame. All bearings are permanently lubricated and therefore require no maintenance. Motor is attached to the gear box by means of snap clip. Thicker shafts (Ø6-7mm) mounted in robust bushings (Ø12mm) are available in a new variant (GB5HS). GB5H can also be combined with small DC Motors, To achieve higher gear torque, GB5H can be mounted on GB4.

Application

Instrumentation, diamond machinery, peristaltic pumps, motorised displays, programming devices, cam timers, medical equipment, valves and actuators.

Options

Gearhead GB5H, a moderately priced gearhead, is specially designed to cater to heavy duty application in a small frame. This is a multi step gear box with all thick metal gears that rotate on steel spindles which are polished to a mirror-finish and introduced between metal plates with a plastic frame. All bearings are permanently lubricated and therefore require no maintenance. Motor is attached to the gear box by means of snap clip. Thicker shafts (Ø6-7mm) mounted in robust bushings (Ø12mm) are available in a new variant (GB5HS). GB5H can also be combined with small DC Motors, To achieve higher gear torque, GB5H can be mounted on GB4.

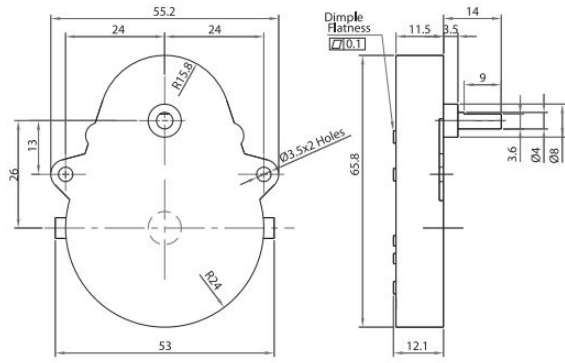
Standard Data

Parameter	Value	Unit
Gear type	Spur	
Gear Torque	0.8	Nm
Combination with Mechtex motors	MT0,MT6,MTR/S3a/3b,MTR/S-5,MTR/S4a/4b and small DC motors	
Mounting	any position	
Weight	65	g
Axial thrust	20	N
Lateral force	100	N
Radial torque	1.5	Nm
Slipping ditches/free wheel	Not available	
Output bearing	Sintered bronze sleeve bushings, (Ball bearing on request)	
Output shafts	3.175,4.00,4.76,5.00,6.00 & 7.00 (others on request)	
Ambient temperature operation	-15...+ 55	°C
Enclosure	40	IP

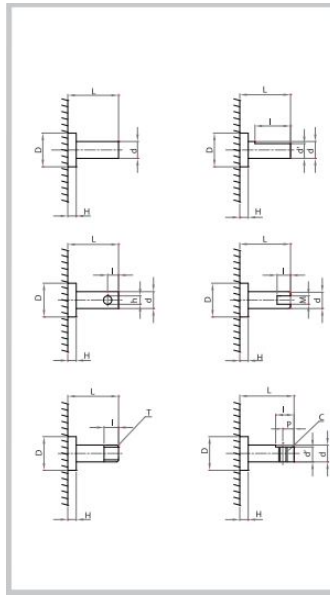
Technical Data

Parameter	Value	Unit
Shaft type	OA	-
D (+0.00/-0.10)	8	
H	3.5	
L	14	
d (dia)	3.175	
I	9	
d	2.8	
P		
M		
T		
h		
C		

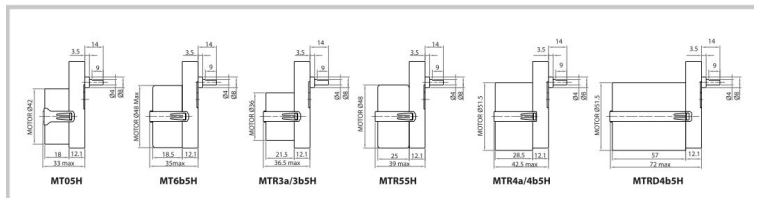
dimensional drawing



Shaft Drawing



Assembly Drawings



Torque/Transmission Ratio/Life Graph

