



GB5H

Spur Reduction Gearheads - 0.8Nm

Design

Gearhead GB5H, a moderately priced gearhead, is specially designed to cater to heavy duty application in a small frame. This is a multi step gear box with all thick metal gears that rotate on steel spindles which are polished to a mirror-finish and introduced between metal plates with a plastic frame. All bearings are permanently lubricated and therefore require no maintenance. Motor is attached to the gear box by means of snap clip. Thicker shafts (Ø6-7mm) mounted in robust bushings (Ø12mm) are available in a new variant (GB5HS). GB5H can also be combined with small DC Motors, To achieve higher gear torque, GB5H can be mounted on GB4.

Features

Gearhead GB5H, a moderately priced gearhead, is specially designed to cater to heavy duty application in a small frame. This is a multi step gear box with all thick metal gears that rotate on steel spindles which are polished to a mirror-finish and introduced between metal plates with a plastic frame. All bearings are permanently lubricated and therefore require no maintenance. Motor is attached to the gear box by means of snap clip. Thicker shafts (Ø6-7mm) mounted in robust bushings (Ø12mm) are available in a new variant (GB5HS). GB5H can also be combined with small DC Motors, To achieve higher gear torque, GB5H can be mounted on GB4.

Application

Instrumentation, diamond machinery, peristaltic pumps, motorised displays, programming devices, cam timers, medical equipment, valves and actuators.

Options

Gearhead GB5H, a moderately priced gearhead, is specially designed to cater to heavy duty application in a small frame. This is a multi step gear box with all thick metal gears that rotate on steel spindles which are polished to a mirror-finish and introduced between metal plates with a plastic frame. All bearings are permanently lubricated and therefore require no maintenance. Motor is attached to the gear box by means of snap clip. Thicker shafts (Ø6-7mm) mounted in robust bushings (Ø12mm) are available in a new variant (GB5HS). GB5H can also be combined with small DC Motors, To achieve higher gear torque, GB5H can be mounted on GB4.

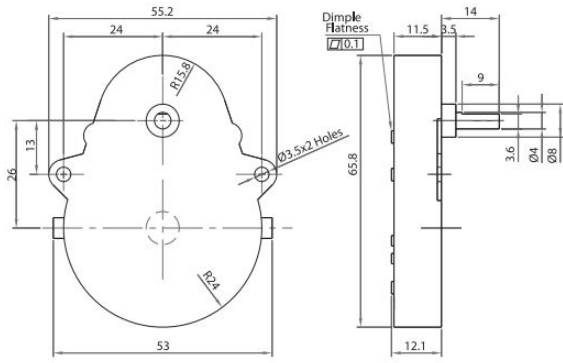
Standard Data

| Parameter | Value | Unit |
|---------------------------------|--|------|
| Gear type | Spur | |
| Gear Torque | 0.8 | Nm |
| Combination with Mechtex motors | MT0,MT6,MTR/S3a/3b,MTR/S-5,MTR/S4a/4b and small DC motors | |
| Mounting | any position | |
| Weight | 65 | g |
| Axial thrust | 20 | N |
| Lateral force | 100 | N |
| Radial torque | 1.5 | Nm |
| Slipping ditches/free wheel | Not available | |
| Output bearing | Sintered bronze sleeve bushings, (Ball bearing on request) | |
| Output shafts | 3.175,4.00,4.76,5.00,6.00 & 7.00 (others on request) | |
| Ambient temperature operation | -15...+ 55 | °C |
| Enclosure | 40 | IP |

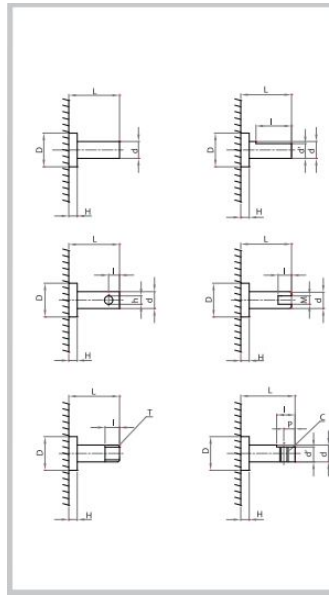
Technical Data

| Parameter | Value | Unit |
|-----------------|-------|------|
| Shaft type | OF | - |
| D (+0.00/-0.10) | 8 | |
| H | 3.5 | |
| L | 23 | |
| d (dia) | 4 | |
| I | | |
| d | | |
| P | | |
| M | | |
| T | | |
| h | | |
| C | | |

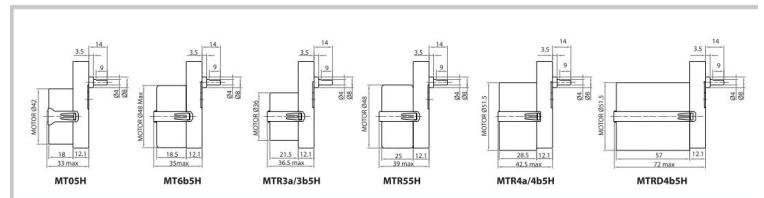
dimensional drawing



Shaft Drawing



Assembly Drawings



Torque/Transmission Ratio/Life Graph

