



## GB5H

### Spur Reduction Gearheads - 0.8Nm

#### Design

Gearhead GB5H, a moderately priced gearhead, is specially designed to cater to heavy duty application in a small frame. This is a multi step gear box with all thick metal gears that rotate on steel spindles which are polished to a mirror-finish and introduced between metal plates with a plastic frame. All bearings are permanently lubricated and therefore require no maintenance. Motor is attached to the gear box by means of snap clip. Thicker shafts (Ø6-7mm) mounted in robust bushings (Ø12mm) are available in a new variant (GB5HS). GB5H can also be combined with small DC Motors, To achieve higher gear torque, GB5H can be mounted on GB4.

#### Features

Gearhead GB5H, a moderately priced gearhead, is specially designed to cater to heavy duty application in a small frame. This is a multi step gear box with all thick metal gears that rotate on steel spindles which are polished to a mirror-finish and introduced between metal plates with a plastic frame. All bearings are permanently lubricated and therefore require no maintenance. Motor is attached to the gear box by means of snap clip. Thicker shafts (Ø6-7mm) mounted in robust bushings (Ø12mm) are available in a new variant (GB5HS). GB5H can also be combined with small DC Motors, To achieve higher gear torque, GB5H can be mounted on GB4.

#### Application

Instrumentation, diamond machinery, peristaltic pumps, motorised displays, programming devices, cam timers, medical equipment, valves and actuators.

#### Options

Gearhead GB5H, a moderately priced gearhead, is specially designed to cater to heavy duty application in a small frame. This is a multi step gear box with all thick metal gears that rotate on steel spindles which are polished to a mirror-finish and introduced between metal plates with a plastic frame. All bearings are permanently lubricated and therefore require no maintenance. Motor is attached to the gear box by means of snap clip. Thicker shafts (Ø6-7mm) mounted in robust bushings (Ø12mm) are available in a new variant (GB5HS). GB5H can also be combined with small DC Motors, To achieve higher gear torque, GB5H can be mounted on GB4.

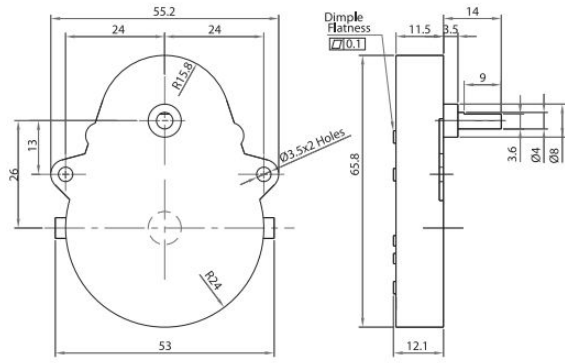
#### Standard Data

Parameter	Value	Unit
Gear type	Spur	
Gear Torque	0.8	Nm
Combination with Mechtex motors	MT0,MT6,MTR/S3a/3b,MTR/S-5,MTR/S4a/4b and small DC motors	
Mounting	any position	
Weight	65	g
Axial thrust	20	N
Lateral force	100	N
Radial torque	1.5	Nm
Slipping ditches/free wheel	Not available	
Output bearing	Sintered bronze sleeve bushings, (Ball bearing on request)	
Output shafts	3.175,4.00,4.76,5.00,6.00 & 7.00 (others on request)	
Ambient temperature operation	-15...+ 55	°C
Enclosure	40	IP

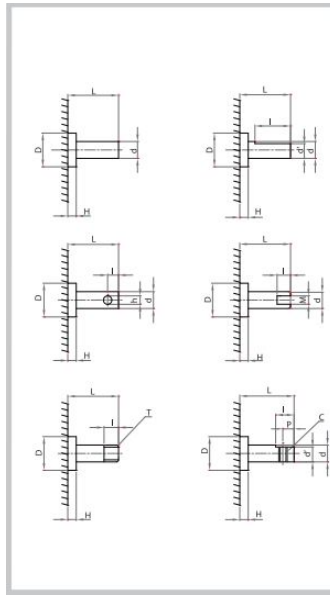
#### Technical Data

Parameter	Value	Unit
Shaft type	OL	-
D (+0.00/-0.10)	8	
H	3.5	
L	10	
d (dia)	4.764	
I	6	
d	4.2	
P		
M		
T		
h		
C		

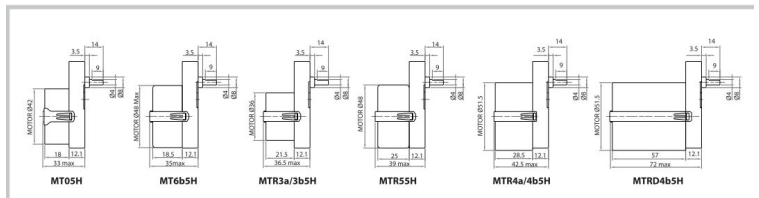
**dimensional drawing**



**Shaft Drawing**



**Assembly Drawings**



**Torque/Transmission Ratio/Life Graph**

