



GB5P

Spur Reduction Gearheads - 0.5 to 1Nm

Design

Gearhead GB5P, the most popular gearhead, is a multi step gear box with all polyacetal gears which rotate on steel spindles which are polished to a mirror-finish and introduced between metal plates with a plastic frame. All bearings are permanently lubricated and therefore require no maintenance. Motor is attached to the gear box by means of snap clip. Thicker shafts (Ø6-7mm) mounted in robust bushings (Ø12mm) are available (GB5PS). Similarly the gears at the output end can be metal with thick shafts & robust bushings. Sintered gears variant also possible GB5P can also be combined with small DC Motors. To achieve higher gear torque, GB5P can be mounted on GB4, GBW & GBX. In same mounting we can also offer casted gearhead with & without ball bearing.

Features

Gearhead GB5P, the most popular gearhead, is a multi step gear box with all polyacetal gears which rotate on steel spindles which are polished to a mirror-finish and introduced between metal plates with a plastic frame. All bearings are permanently lubricated and therefore require no maintenance. Motor is attached to the gear box by means of snap clip. Thicker shafts (Ø6-7mm) mounted in robust bushings (Ø12mm) are available (GB5PS). Similarly the gears at the output end can be metal with thick shafts & robust bushings. Sintered gears variant also possible GB5P can also be combined with small DC Motors. To achieve higher gear torque, GB5P can be mounted on GB4, GBW & GBX. In same mounting we can also offer casted gearhead with & without ball bearing.

Application

Instrumentation, diamond machinery, peristaltic pumps, motorised displays, programming devices, cam timers, medical equipment, valves and actuators.

Options

Gearhead GB5P, the most popular gearhead, is a multi step gear box with all polyacetal gears which rotate on steel spindles which are polished to a mirror-finish and introduced between metal plates with a plastic frame. All bearings are permanently lubricated and therefore require no maintenance. Motor is attached to the gear box by means of snap clip. Thicker shafts (Ø6-7mm) mounted in robust bushings (Ø12mm) are available (GB5PS). Similarly the gears at the output end can be metal with thick shafts & robust bushings. Sintered gears variant also possible GB5P can also be combined with small DC Motors. To achieve higher gear torque, GB5P can be mounted on GB4, GBW & GBX. In same mounting we can also offer casted gearhead with & without ball bearing.

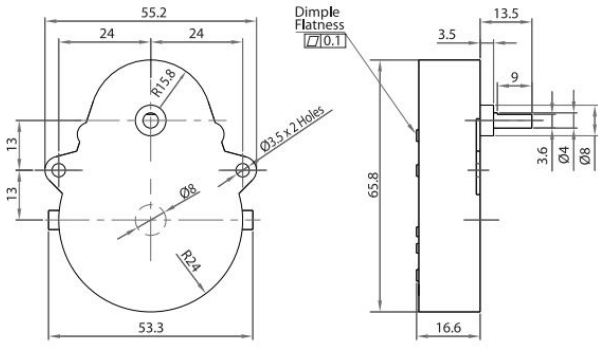
Standard Data

| Parameter | Value | Unit |
|---------------------------------|-----------------------------------------------------------|------|
| Gear type | Spur (1st Pair helical for certain ratios only) | |
| Gear Torque | 0.5 to 1 | |
| Combination with Mechtex motors | Motor MT0, MT6, MTR/S3a/3b,MTR/S4a/4b and small DC motors | |
| Mounting | any position | |
| Weight | 60 | g |
| Axial thrust | 20 | N |
| Lateral force | 60 | N |
| Radial torque | 0.6 | Nm |
| Slipping clutches/free wheel | available for certain ratios | |
| Output bearing | Sintered bronze sleeve bushings,(Ball bearing on request) | |
| Output shafts | 3.175,4.00,4.76,5.00,6.00 & 7..00 (others on request) | Ø |
| Ambient temperature operation | -15...+ 55 | °C |
| Enclosure | 40 | IP |

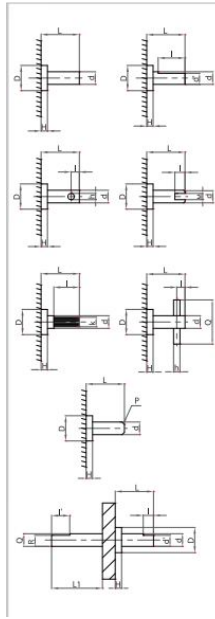
Technical Data

| Parameter | Value | Unit |
|-----------------|-------|------|
| Shaft type | OX | - |
| D (+0.00/-0.10) | 3.5 | |
| H | 6 | |
| d (dia) | 23 | |
| L | 18 | |
| I | 5.4 | |
| d | | |
| I | | |
| L | | |
| R | | |
| C | | |
| M | | |
| h | | |
| k | | |
| P | | |
| Q | | |

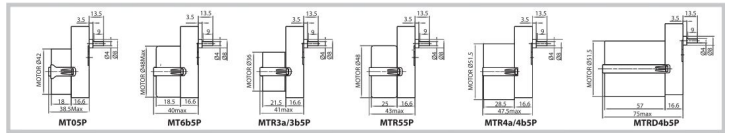
dimensional drawing



Shaft Drawing



Assembly Drawings



Life graph Transmission Ratios

