



Spur Reduction Gearheads - 5Nm

Design

Gearhead GB7 contains heavily loaded steel gear wheels. The spur gears rotate on fixed steel spindles which are hardened and polished to a mirror finish. The thick output shaft rotates in robust sintered bushings. All the gears are housed in a pressure die cast housing & closed by metal plates. All bearings are permanently lubricated and therefore require no maintenance. Economical versions with poly-acetal or sintered gears available. This gear box can also be combined with small to medium sizes of DC motors (upto dia 38 mm) Output shaft can be emerging from the rear side or both sides.

Features

Gearhead GB7 contains heavily loaded steel gear wheels. The spur gears rotate on fixed steel spindles which are hardened and polished to a mirror finish. The thick output shaft rotates in robust sintered bushings. All the gears are housed in a pressure die cast housing & closed by metal plates. All bearings are permanently lubricated and therefore require no maintenance. Economical versions with poly-acetal or sintered gears available. This gear box can also be combined with small to medium sizes of DC motors (upto dia 38 mm) Output shaft can be emerging from the rear side or both sides.

Application

Timers, Chart Recorders, Potentiometer Drives, Light Displays, Hour Meters, Cam Timers, Programming Devices and Control Instrumentation.

Options

Gearhead GB7 contains heavily loaded steel gear wheels. The spur gears rotate on fixed steel spindles which are hardened and polished to a mirror finish. The thick output shaft rotates in robust sintered bushings. All the gears are housed in a pressure die cast housing & closed by metal plates. All bearings are permanently lubricated and therefore require no maintenance. Economical versions with poly-acetal or sintered gears available. This gear box can also be combined with small to medium sizes of DC motors (upto dia 38 mm) Output shaft can be emerging from the rear side or both sides.

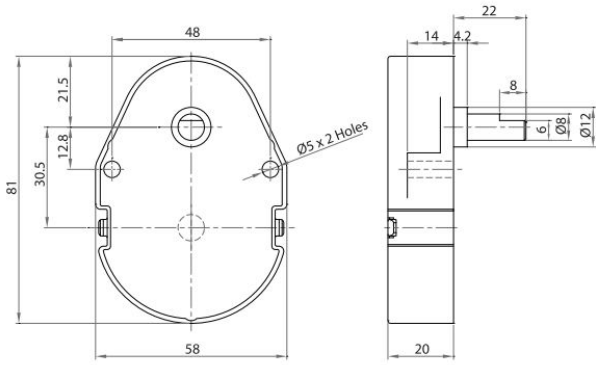
Standard Data

Parameter	Value	Unit
Gear type	Spur	
Gear Torque	5	Nm
Combination with Mechtex motors	MTO, MT6, MTR/S-5, MTR/S3a/3b, MTR/S4a/4b MTR/SD4B-RE & DC motors (upto dia38 mm)	
Mounting	any position	
Weight	300	g
Axial thrust	100	N
Lateral force	400	N
Radial torque	4	Nm
Slipping clutches/free wheel	available for certain ratios	
Output bearing	Sintered bronze sleeve bushings	
Output shafts	dia. 8 x 22 mm (with a flat), others on request	Ø
Ambient temperature operation	-15...+ 55	°C
Enclosure	30	IP

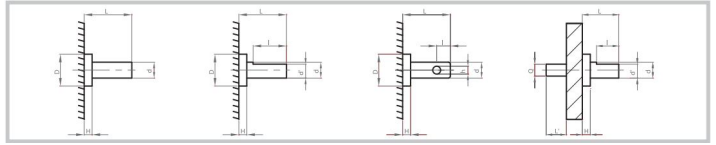
Technical Data

Parameter	Value	Unit
Shaft type	OA	-
D (+0.00/-0.10)	12	
H	42	
d (dia)	8	
L	32	
I	8	
d	6	
L		
Q		
h		

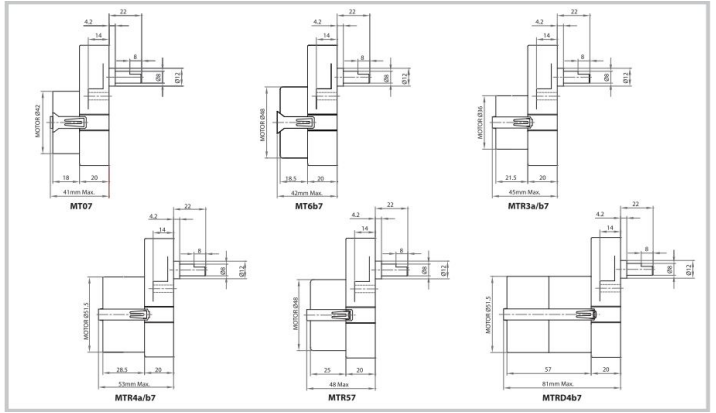
dimensional drawing



Shaft Drawing



Assembly Drawings



Torque/Transmission Ratio/Life Graph

