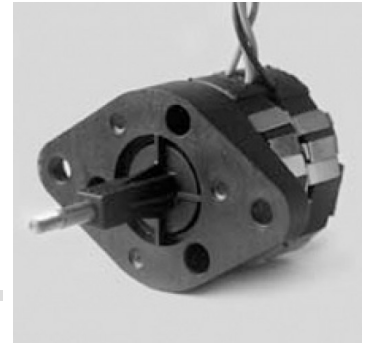




MTS3L



Stepper Linear Actuators

Application

Instrumentation, Machinery, Valve Actuators, Medical Equipment, Dampers, HVAC, Factory Automation, Valves etc.

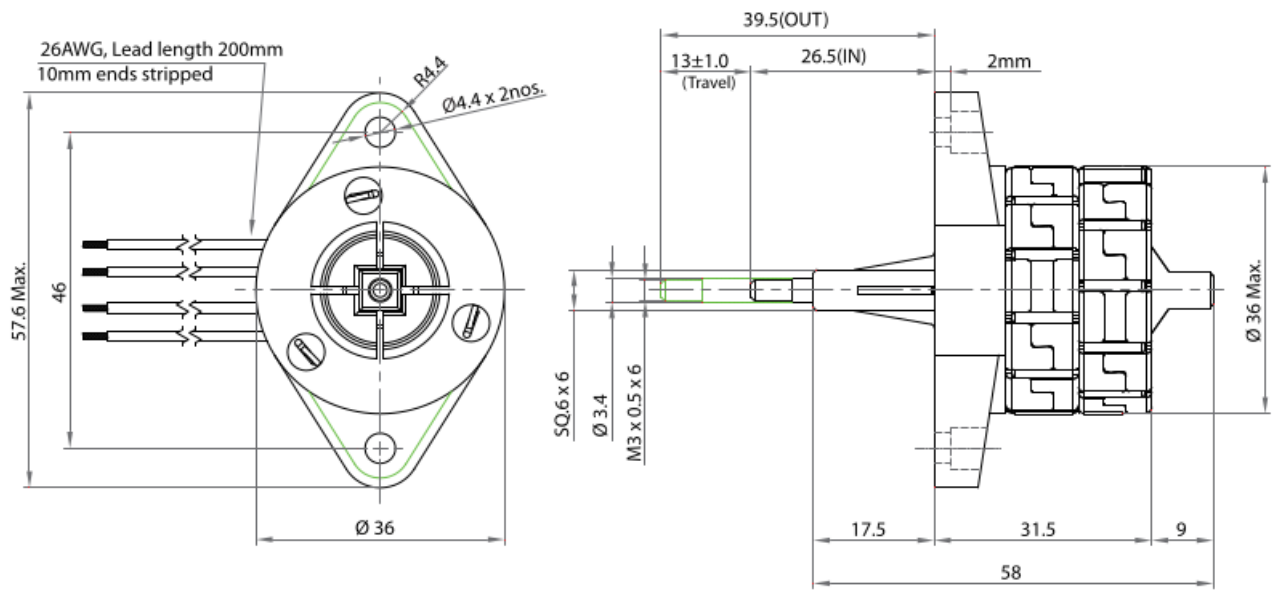
Standard Data

Parameter	Value	Unit
Motor type	Stepper Linear Actuators	
Thermal Class	105	°C
Electric Enclosure	40	IP
Connections	Flexible Leads 26 AWG, 200 mm length, end stripped 10mm	
Life expectancy	> 100 k cycles at rated torque	
Mounting	any position	
Weight	90	g
Rotor shaft	Copper alloy	
Bearing	Ball bearing	

Technical Data

Parameter	Value	Unit
Steps per revolution	24	
Winding type	bipolar, unipolar	
Standard Voltage	3, 6, 12, 24	V
Resistance per winding at 3V - (Bipolar)	11.5	Ω
Resistance per winding at 6V - (Bipolar)	18.5	Ω
Resistance per winding at 12V - (Bipolar)	100	Ω
Resistance per winding at 24V - (Bipolar)	460	Ω
Resistance per winding at 3V - (Unipolar)	12	Ω
Resistance per winding at 6V - (Unipolar)	28.5	Ω
Resistance per winding at 12V - (Unipolar)	120	Ω
Resistance per winding at 24V - (Unipolar)	500	Ω
Max Force at 3V - (Bipolar)		N
Max Force at 6V - (Bipolar)		N
Max Force at 12V - (Bipolar)		N
Max Force at 24V - (Bipolar)		N
Max Force at 3V - (Unipolar)		N
Max Force at 6V - (Unipolar)	20*	N
Max Force at 12V - (Unipolar)		N
Max Force at 24V - (Unipolar)	(*on special winding only)	N
Travel / Step at 3V - (Bipolar)		mm
Travel / Step at 6V - (Bipolar)		mm
Travel / Step at 12V - (Bipolar)		mm
Travel / Step at 24V - (Bipolar)		mm
Travel / Step at 3V - (Unipolar)		mm
Travel / Step at 6V - (Unipolar)		mm
Travel / Step at 12V - (Unipolar)		mm
Travel / Step at 24V - (Unipolar)		mm
Linear Travel at 3V - (Bipolar)		mm
Linear Travel at 6V - (Bipolar)		mm
Linear Travel at 12V - (Bipolar)		mm
Linear Travel at 24V - (Bipolar)		mm
Linear Travel at 3V - (Unipolar)		mm
Linear Travel at 6V - (Unipolar)	13	mm
Linear Travel at 12V - (Unipolar)		mm
Linear Travel at 24V - (Unipolar)	(others on request)	mm
Linear Speed @200 Hz at 3V - (Bipolar)		mm/sec
Linear Speed @200 Hz at 6V - (Bipolar)		mm/sec
Linear Speed @200 Hz at 12V - (Bipolar)		mm/sec
Linear Speed @200 Hz at 24V - (Bipolar)		mm/sec
Linear Speed @200 Hz at 3V - (Unipolar)		mm/sec
Linear Speed @200 Hz at 6V - (Unipolar)	6.67	mm/sec
Linear Speed @200 Hz at 12V - (Unipolar)		mm/sec
Linear Speed @200 Hz at 24V - (Unipolar)		mm/sec

Dimensional Drawing



Ordering Data

