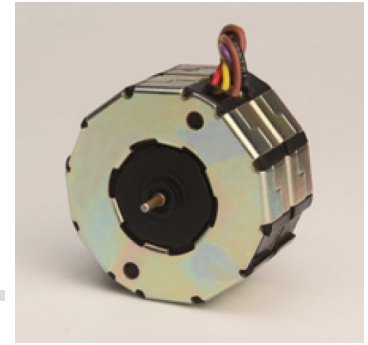




MTS4b



Stepper Motor 15°

Design

15° MTS4b - Permanent magnet stepper motor with simple mechanical structure. Clawpole principle (Tin Can) with 2 stator halves. Self lubricated sinteres sleeve with long life expectancy.

Features

15° MTS4b - Permanent magnet stepper motor with simple mechanical structure. Clawpole principle (Tin Can) with 2 stator halves. Self lubricated sinteres sleeve with long life expectancy.

Application

Yarn Movement.

Options

15° MTS4b - Permanent magnet stepper motor with simple mechanical structure. Clawpole principle (Tin Can) with 2 stator halves. Self lubricated sinteres sleeve with long life expectancy.

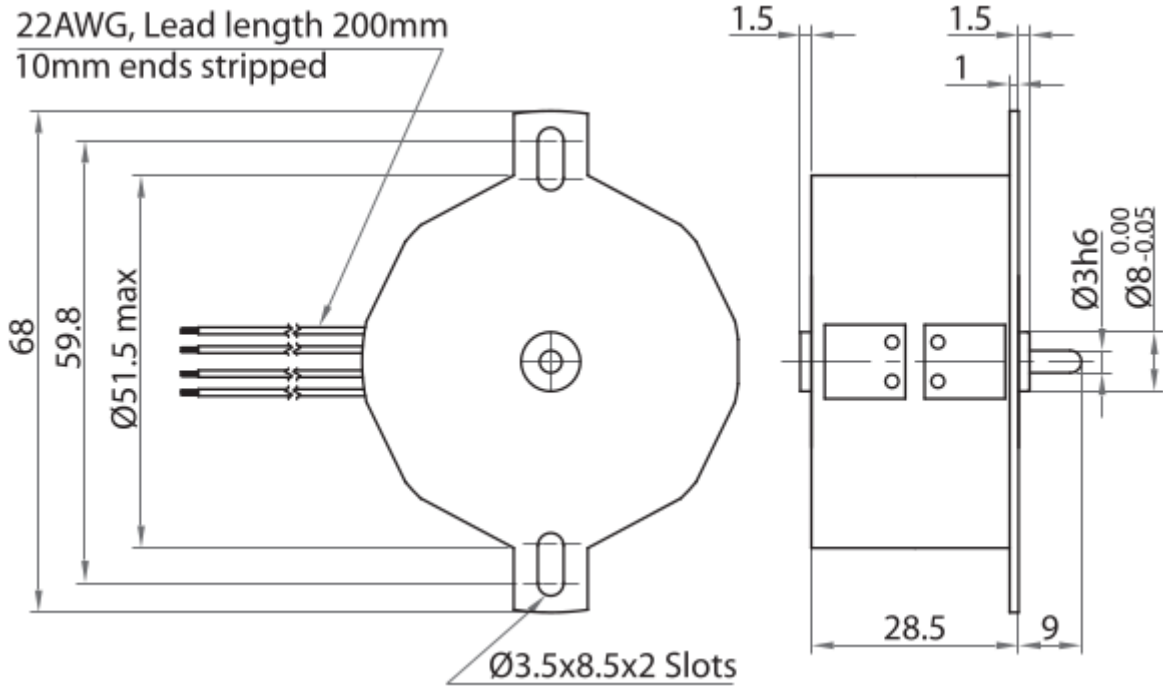
Standard Data

Parameter	Value	Unit
Motor type	Permanent Magnet (PM) stepper motor	
Electrical Enclosure	40	IP
Life expectancy	3 Year in Continuous operation	
Connections	Flexible leads 22 AWG, 200mm length, end striped 10mm	
Weight	200	g
Mounting	Any position by ears or screw clip	

Technical Data

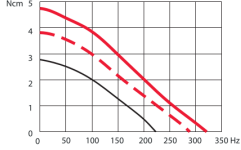
Parameter	Value	Unit
Steps per revolution	24	
Degree/step	15	
Winding type	Bipolar, Unipolar	
Standard Voltage	6, 12, 24	V
Resistance per winding at 6V - (Bipolar)	9.5	Ω
Resistance per winding at 12V - (Bipolar)	61	Ω
Resistance per winding at 24V - (Bipolar)	251	Ω
Resistance per winding at 6V - (Unipolar)	15	Ω
Resistance per winding at 12V - (Unipolar)	61	Ω
Resistance per winding at 24V - (Unipolar)	251	Ω
Winding temperature	105 Max	°C
Holding torque	5.2 , (MTSB4b), 4, (MTSU4b)	Ncm
Axial Force at 5.2		Ncm
Axial Force at (MTSB4b)	3	Ncm
Axial Force at 4		Ncm
Axial Force at (MTSU4b)		Ncm
Lateral Force at 5.2		Ncm
Lateral Force at (MTSB4b)	6	N
Lateral Force at 4		N
Lateral Force at (MTSU4b)		
Rotor inertia at 5.2		gcm ²
Rotor inertia at(MTSB4b)	13	
Rotor inertia at 4		
Rotor inertia at (MTSU4b)		

Dimensional Drawing

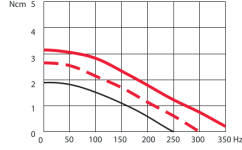


Torque Graphs

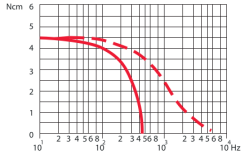
Start range (pull-in) with constant voltage power stage



Start range (pull-in) with constant voltage power stage

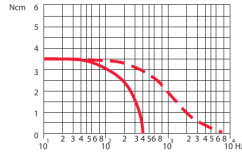


2-Phase stepper Motor MTSB4b



Slew range (pull-out) and start range (pull-in) with constant current power stage (chopper Drive)

4-Phase Stepper Motor MTSU4b



Slew range (pull-out) and start range (pull-in) with constant current power stage (chopper Drive)