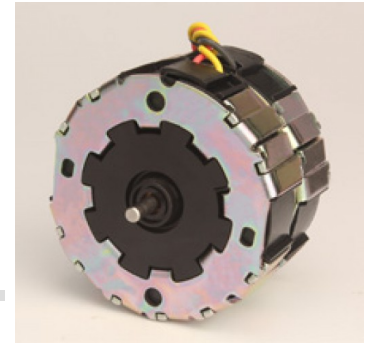




## MTS8c



### Stepper Motor 11.25°

#### Design

11.25° MTS8c - Permanent magnet stepper motor with simple mechanical structure. Clawpole principle (Tin Can) with 2 stator halves. Self lubricated sinteres sleeve with long life expectancy.

#### Application

Combi Ovens, Doner Kebab machines, Voltage Stabiliser.

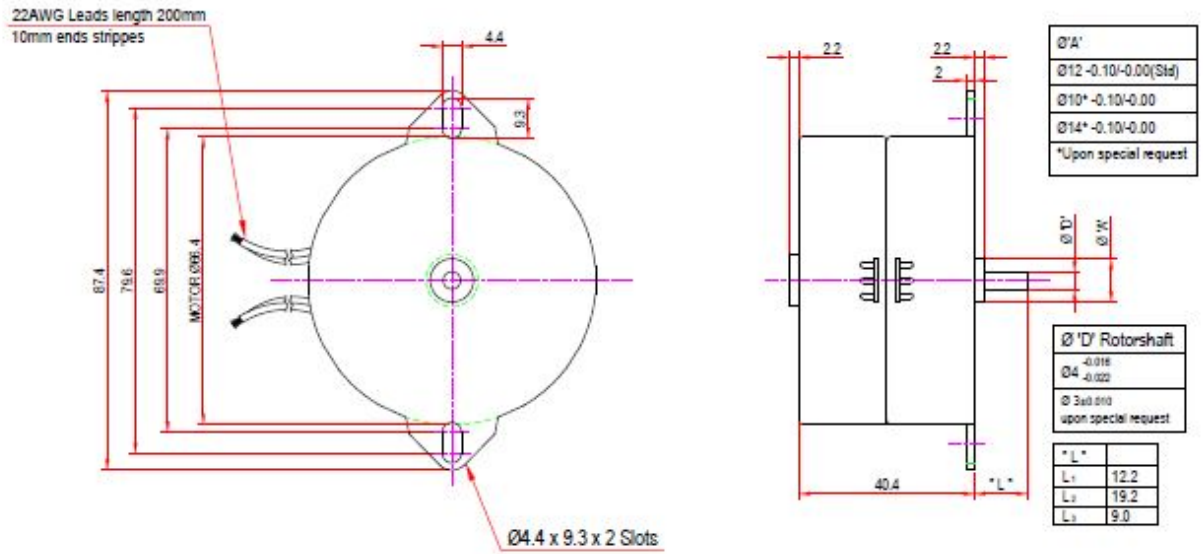
#### Standard Data

Parameter	Value	Unit
Motor type	Permanent Magnet (PM) stepper motor	
Electrical Enclosure	40	IP
Connections	Flexible leads 22 AWG, 200mm length, end striped 10mm	
Duty cycle	Continuous	
Weight	450	g
Mounting	Any position by ears or screw clip	

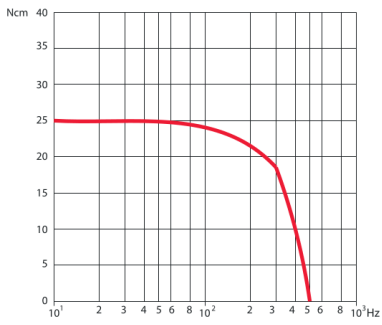
#### Technical Data

Parameter	Value	Unit
Steps per revolution	32	
Degree/step	11.25	
Winding type	bipolar	
Standard Voltage	4.5	V
Resistance per winding	4.0	Ω
Winding Temperature	130 max	°C
Magnet Type	(MTSB8c) Regular, (MTSB8C-RE) Strong	
Holding torque	30, 45	Ncm
Axial Force	6	N
Lateral Force	15	N
Detent Torque	2, 7.5	Ncm
Rotor inertia	155, 180	gcm <sup>2</sup>

# Dimensional Drawing

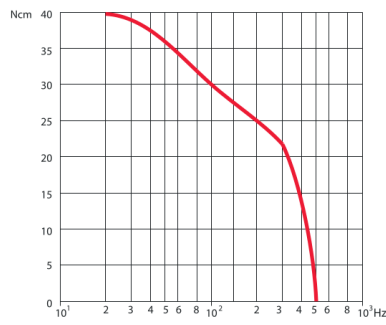


# Torque Graphs



Regular magnet Start range (pull-in) with constant current power stage (chopper Drive)

Torque  
Start range



Strong Magnet Start range (pull-in) with constant current power stage (chopper Drive)