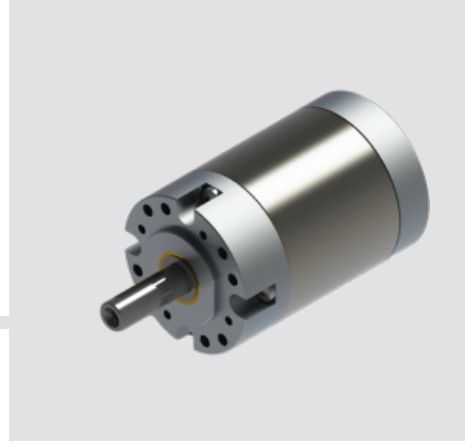


# Gear Series GB42P

Planetary Reduction Gearhead - 3..... 15 Nm



## Design

Gearhead GB42P, a moderately priced gearhead, is specially designed to cater heavy duty application in a cylindrical frame with centre shaft. This is a planetary gear box with the possibility of polyacetal gears in first stage (for low noise) and remaining stages being powder metal or hardened metal (on special request). The output bearing is robust and is made of powdered metal (ball bearing on special request). The entire gearhead is permanently lubricated and therefore requires no maintenance. Brushed and Brushless DC Motors upto 52mm diameter are generally mounted on this gearhead to provide a compact and yet powerful drive.

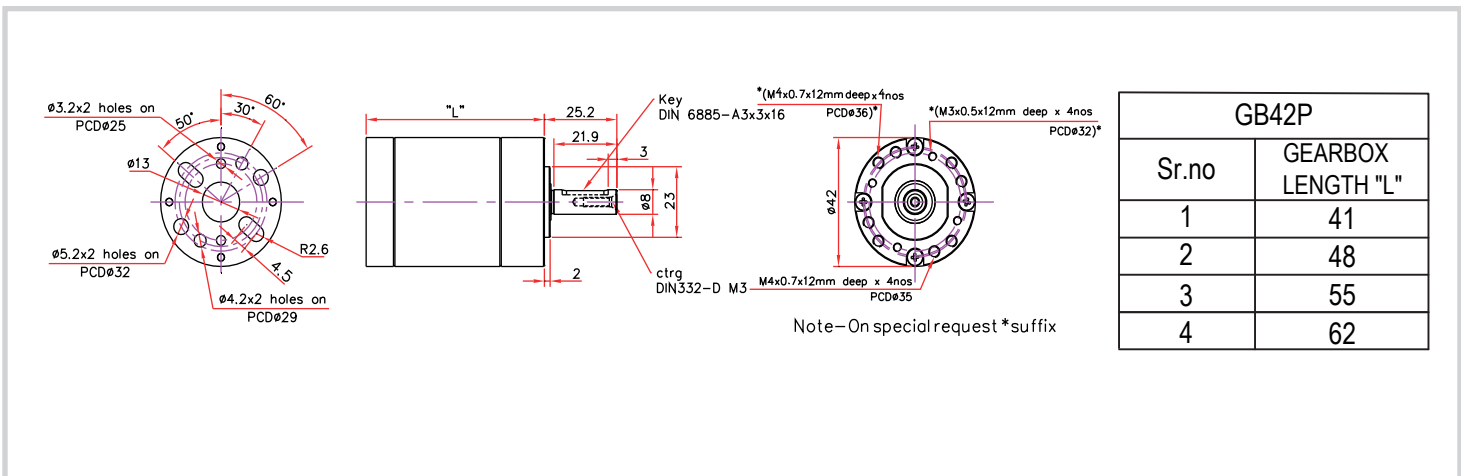
## Technical data

Gear type		Spur Gears
Gear Torque	Nm	3-15Nm
Combination with Mechtex motors (add assembly drawing along with proper mounting)		BI28,DC28,DC30,DC32,BO32,DC36,DC38,BO42,DC42 DC52
Mounting		4 ~ M4X0.7X12mm deep, PCDØ36
Axial thrust	N	110
Lateral force	N	300
Output Bearings		Sintered
Output shafts	Ø	8
Ambient temperature operation	°C	-30....+120
Enclosure	IP	40

## Gearhead Data

Reduction		3.71	5.18	13.73	19.2	26.85	50.89	71.16	99.51	139.14	188.61	263.73	369.76	515.63	720.99	938.85
Max. output shaft diameter	mm	8	8	8	8	8	8	8	8	8	8	8	8	8	8	8
Number of stages		1	1	2	2	2	3	3	3	3	4	4	4	4	4	4

## Dimensional Drawing



Front view details:
 

- Ø3.2x2 holes on PCDØ25
- Ø13
- Ø5.2x2 holes on PCDØ32
- Ø4.2x2 holes on PCDØ29
- R2.6
- 4.5
- 60°, 30°, 60° angles

Side view details:
 

- Length "L"
- 25.2
- 21.9
- 3
- ø8
- 2.5
- 2
- Key DIN 6885-A3x5x16
- ctrgr DIN332-D M3

Detail views:
 

- \* (M4x0.7x12mm deep x 4nos PCDØ36)\*
- \* (M3x0.5x12mm deep x 4nos PCDØ32)\*
- M4x0.7x12mm deep x 4nos PCDØ35
- ø4.2

Note - On special request \*suffix

GB42P	
Sr.no	GEARBOX LENGTH "L"
1	41
2	48
3	55
4	62