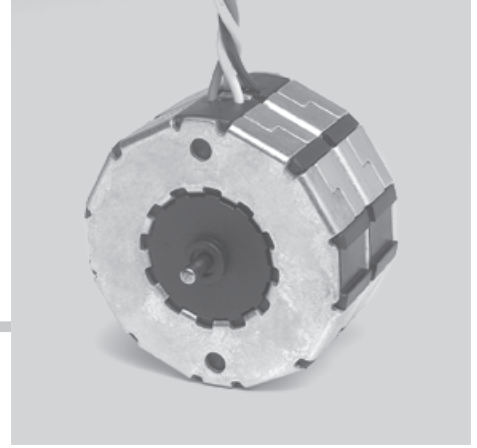


# Motor Series MTR4a

## Reversible Synchronous Motor - 250 RPM



### Application

Valve Actuators, Light displays, Textile machinery, Medical equipment, Air conditioning & refrigeration, Dampers peristaltic Pumps, Dosing pumps, Vending machines, CCTV Camera positioning, any positioning Application.

### Design

MTR4a reversing synchronous motor is of the permanent magnet type with two stator windings, for single phase AC 50/60 Hz. Phase displacement of the excitation current is achieved by connecting a capacitor in parallel with one of the stator windings. The sense of rotation is determined by the resulting circular rotating field. Electrical reversal of the sense of rotation is effected by means of a single-pole changeover switch.

The 24 pole rotor which has a steel shaft polished to a mirror-finish rotates in sintered bronze bearings.

Motor can be provided with Mounting plate/Screw clip for fixing.

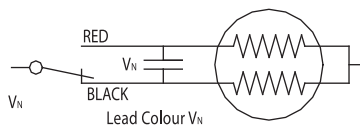
### Standard Data

Motor type		Reversible synchronous
Ambient temperature operation	°C	-15...+55
Ambient temperature storage	°C	-20...+100
Thermal class	°C	105
Electrical Enclosure	IP	40
Connections		Flexible Leads 22 AWG, 200mm length; ends stripped 10 mm
Sense of rotation		Indicated by lead colour (red-CW & black ACW)
Life expectancy		3 Years in continuous operation
Mounting		any position
HVT		As per standard IEC60034-1
Weight	g	200
Rotor stalling		Motor can be stopped when voltage is applied, without being overheated
Rotor shaft		Hardened steel, ground and polished
Bearings		Sintered bronze, self-lubricating, (Ball bearing on request)
External dimensions		dia. 51.5 x 28.5 mm

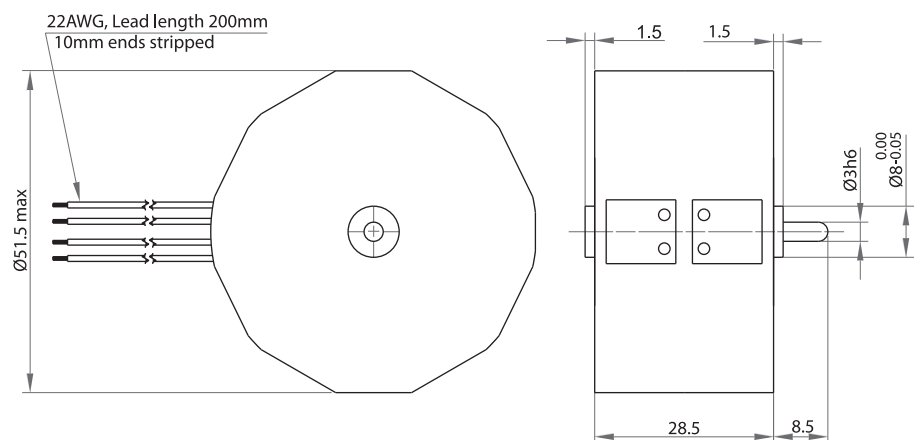
### Technical data

Standard Motor Voltages (V <sub>N</sub> )	V	24	48	110	230
Operation capacitor(50 Hz) C <sub>N</sub>	µF/VAC	10/50	2.2/100	0.39/250	0.1/400
Operation capacitor (60Hz) C <sub>N</sub>	µF/VAC	8.2/50	1.8/100	0.33/250	0.082/400
Lead colour (V <sub>N</sub> )		Blue	Brown	White	Yellow
Tolerance of voltage	%	-10...+15% of rated voltage			
Duty cycle	%	100			
<b>Rated frequency</b>	<b>Hz</b>	<b>50</b>		<b>60</b>	
Power output at rated voltage	W	0.94		1.03	
Speed	Rpm	250		300	
Running torque at rated voltage	Ncm	3.6		3.3	
Power consumption at rated voltage	W	4		3.2	
Detent Torque	Ncm	0.45			

### Connection Diagram



### Dimensional Drawing



### Ordering Data (eg.)

