

Gear Series **GB62K**

Planetary Reduction Gearhead - 2.0..... 15 Nm



Design

Gearhead GB62K, a moderately priced gearhead, is specially designed to cater heavy duty application in a cylindrical frame with centre shaft. This is a planetary gear box with all the plastic gears. The output bearing is robust and is made of ball bearing. The entire gearhead is permanently lubricated and therefore requires no maintenance. Brushed and Brushless DC Motors upto 60mm diameter are generally mounted on this gearhead to provide a compact and yet powerful drive.

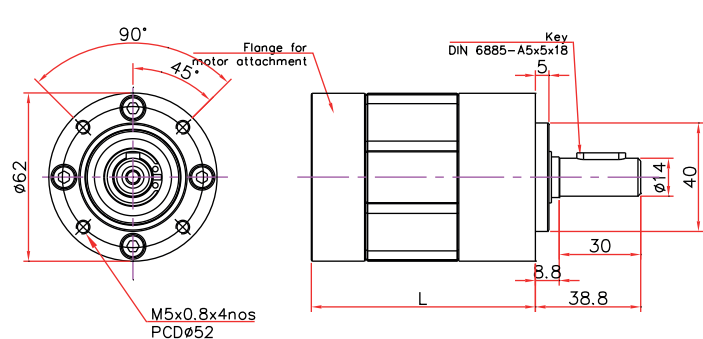
Technical data

Gear type		Spur Gears
Gear Torque	Nm	2.0 to 15Nm
Combination with Mechtex motors (add assembly drawing along with proper mounting)		DC36,DC38,BO32,BO42,DC42 DC52, BO60
Mounting		4 ~ M5X0.8X7mm deep, PCDØ52
Axial thrust	N	520
Lateral force	N	150
Output Bearings		Ball bearing
Output shafts	Ø	14
Ambient temperature operation	°C	-15....+55
Enclosure	IP	40

Gearhead Data

Reduction		3.71	5.18	13.73	19.2	26.85	50.89	71.16	99.51	139.14	188.61	263.73	369.76	515.63	720.99	938.85
Max. output shaft diameter	mm	14	14	14	14	14	14	14	14	14	14	14	14	14	14	14
Number of stages		1	1	2	2	2	3	3	3	3	4	4	4	4	4	4

Dimensional Drawing



GB62K	
Sr.no	GEARBOX LENGTH "L"
1	54.6
2	71.45
3	88.5