

Motor Series **MTSD4b**

Stepper Motor 15°



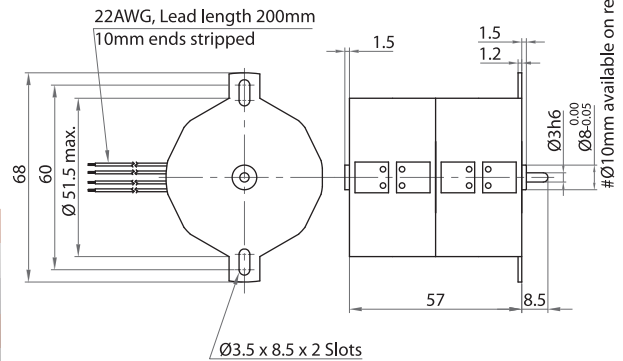
Standard Data

| | | |
|----------------------|----|--|
| Motor type | | Permanent Magnet (PM) stepper motor |
| Electrical Enclosure | IP | 40 |
| Connections | | Flexible Leads 22 AWG, 200mm length; ends stripped 10 mm |
| Life expectancy | | 3 years in continuous operation |
| Weight | g | 400 |
| Mounting | | Any position by ears or screw clip |

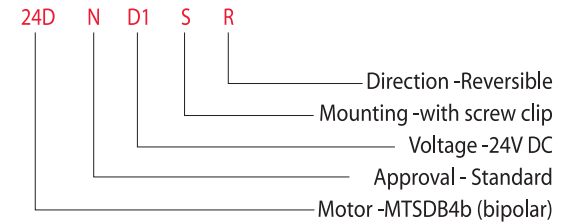
Technical Data

| | | | | |
|------------------------|--------------------|----------|-----------|---------------|
| Steps per revolution | | 24 | | |
| Degree/step | | 15 | | |
| Winding Type | | bipolar | | |
| Standard Voltage | V | 6 | 12 | 24 |
| Resistance per winding | Ω | 5 | 26 | 122 |
| Winding Type | | unipolar | | |
| Standard Voltage | V | 6 | 12 | 24 |
| Resistance per winding | Ω | 8 | 30 | 122 |
| Winding temperature | $^{\circ}\text{C}$ | 105 max. | | |
| Holding torque | Ncm | 10 | (MTSDB4b) | 7.2 (MTSDU4b) |
| Axial Force | N | 3 | | |
| Lateral Force | N | 6 | | |
| Rotor inertia | gcm^2 | 26 | | |

Dimensional Drawing

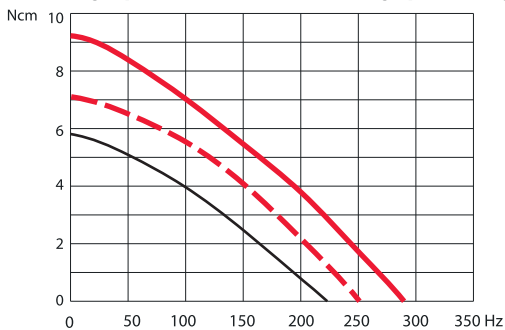


Ordering Data (eg.)

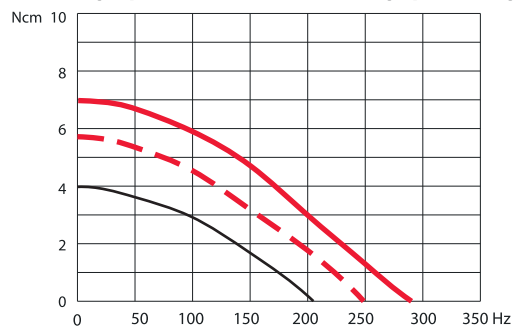


Torque Graphs

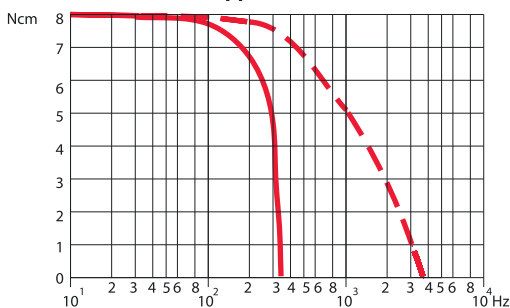
Start range (pull-in) with constant voltage power stage



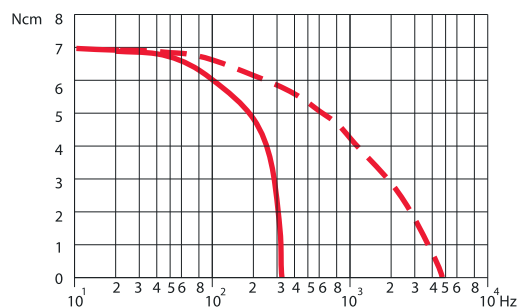
Start range (pull-in) with constant voltage power stage



2-Phase stepper Motor MTSDB4b



4-Phase Stepper Motor MTSDU4b



Slew range (pull-out) and start range (pull-in) with constant current power stage (chopper Drive)

Slew range (pull-out) and start range (pull-in) with constant current power stage (chopper Drive)