



**GBW**



**Spur Reduction Gearheads - 15Nm**

**Design**

Gearhead GBW contains heavily loaded steel gear wheels. The spur gears are fixed on steel spindles which are hardened and polished to a mirror finish & rotate in robust sintered bushings. The thick output shaft rotates in robust sintered bronze bushings. All the gears are housed in between metal plates & closed by plastic dust cover. All bearings are permanently lubricated and therefore require no maintenance. GBW can also be combined with small to medium sizes of DC motors (up to 52mm).

**Features**

Gearhead GBW contains heavily loaded steel gear wheels. The spur gears are fixed on steel spindles which are hardened and polished to a mirror finish & rotate in robust sintered bushings. The thick output shaft rotates in robust sintered bronze bushings. All the gears are housed in between metal plates & closed by plastic dust cover. All bearings are permanently lubricated and therefore require no maintenance. GBW can also be combined with small to medium sizes of DC motors (up to 52mm).

**Application**

Timers, Chart Recorders, Potentiometer Drives, Light Displays, Hour Meters, Cam Timers, Programming Devices and Control Instrumentation.

**Options**

Gearhead GBW contains heavily loaded steel gear wheels. The spur gears are fixed on steel spindles which are hardened and polished to a mirror finish & rotate in robust sintered bushings. The thick output shaft rotates in robust sintered bronze bushings. All the gears are housed in between metal plates & closed by plastic dust cover. All bearings are permanently lubricated and therefore require no maintenance. GBW can also be combined with small to medium sizes of DC motors (up to 52mm).

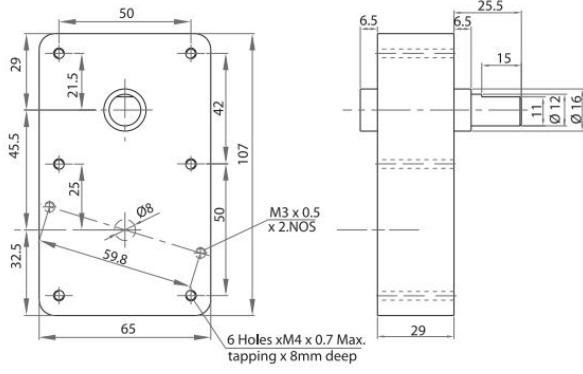
**Standard Data**

Parameter	Value	Unit
Gear type	Spur	
Gear Torque	15	Nm
Combination with Mechtex motors	MT0,MT6,MTR/S5,MTR/S-4a/b,MTR/SD-4a/b, MTR/S-7a,MTR/S-8c and DC motors / (upto 52 mm)	
Mounting	any position	
Weight	550	g
Axial thrust	400	N
Lateral force	600	N
Radial torque	6	Nm
Output bearing	Sintered Bronze sleeve bushings, (Ball bearing on request)	
Output shafts	dia. 12 x 25.5 mm (with a flat), others on request	Ø
Ambient temperature operation	-15...+ 55	°C
Enclosure	30	IP

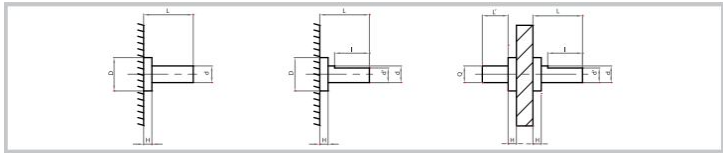
**Technical Data**

Parameter	Value	Unit
Shaft type	OA	
D (+0.00/-0.10)	16	
H	6.5	
d (dia)	12	
L	35.5	
I	25	
d	11	
L	17	
Q	12	

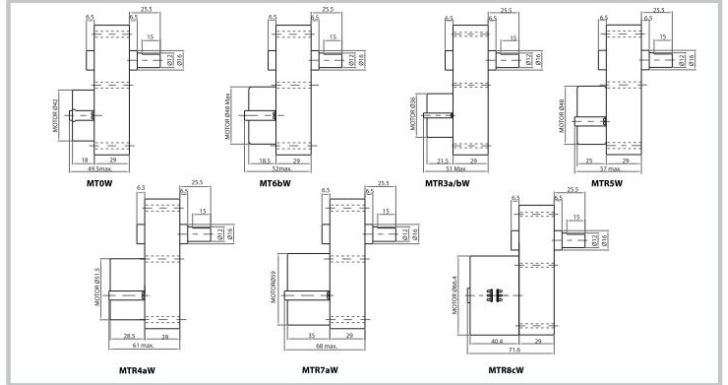
**dimensional drawing**



**Shaft Drawing**



**Assembly Drawing**



**Torque/Transmission Ratio/Life Graph**

