

Motor Series MTS4a

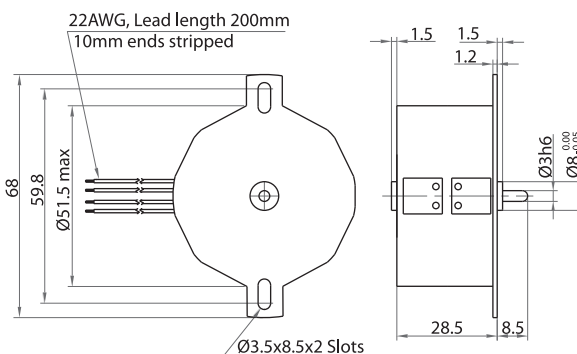


Stepper Motor 7.5°

Standard Data

Motor type		Permanent Magnet (PM) stepper motor
Electrical Enclosure	IP	40
Connections		Flexible Leads 22 AWG, 200mm length; ends stripped 10 mm
Life expectancy		3 years in continuous operation
Weight	g	200
Mounting		Any position by ears or screw clip

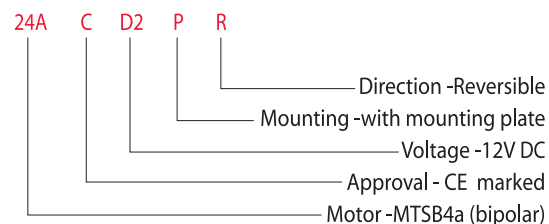
Dimensional Drawing



Technical Data

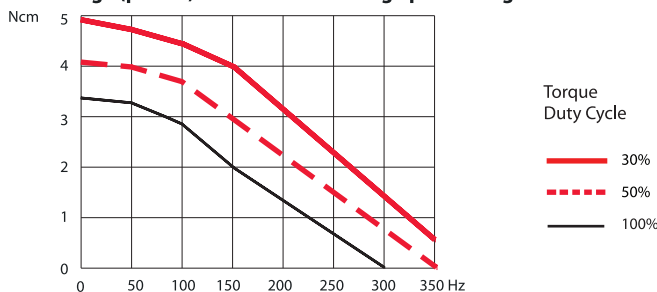
Steps per revolution		48		
Degree/step		7.5		
Winding Type		bipolar		
Standard Voltage	V	6	12	24
Resistance per winding	Ω	9.5	61	251
Winding Type		unipolar		
Standard Voltage	V	6	12	24
Resistance per winding	Ω	15	61	251
Winding temperature	°C	105 max.		
Holding torque	Ncm	6.2	(MTSB4a)	4.5 (MTSU4a)
Axial Force	N	3		
Lateral Force	N	6		
Rotor inertia	gcm ²	6		

Ordering Data (eg.)

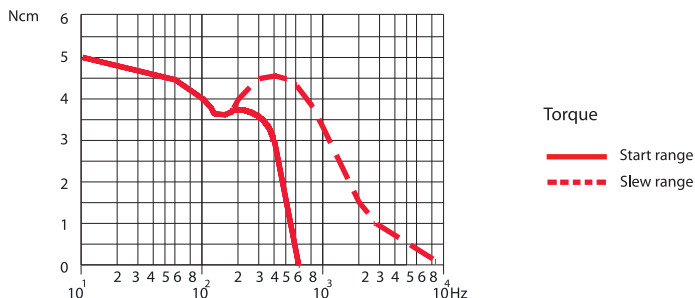


Torque Graphs

Start range (pull-in) with constant voltage power stage

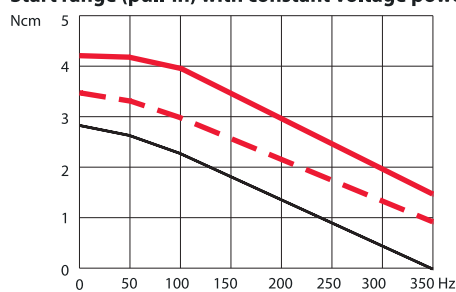


2-Phase stepper Motor MTSB4a

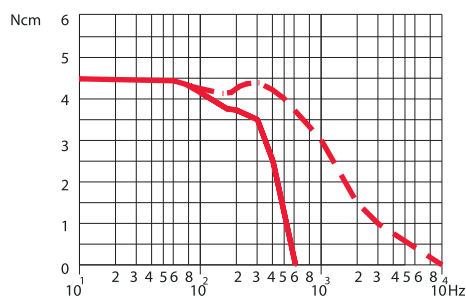


Slew range (pull-out) and start range (pull-in) with constant current power stage (chopper Drive)

Start range (pull-in) with constant voltage power stage



4-Phase Stepper Motor MTSU4a



Slew range (pull-out) and start range (pull-in) with constant current power stage (chopper Drive)